



PUP-4



PUP-5



PUP-6



PUP-8

GILES Portable PUP Base is a stainless steel base, equipped with locking casters, specifically designed to securely hold a GHM-C Heated Merchandiser. A must have for any deli or other food service operation, this stand-alone unit easily places a display warmer in desirable sales locations. Available in four (4) lengths to accommodate the various GHM-C sizes.

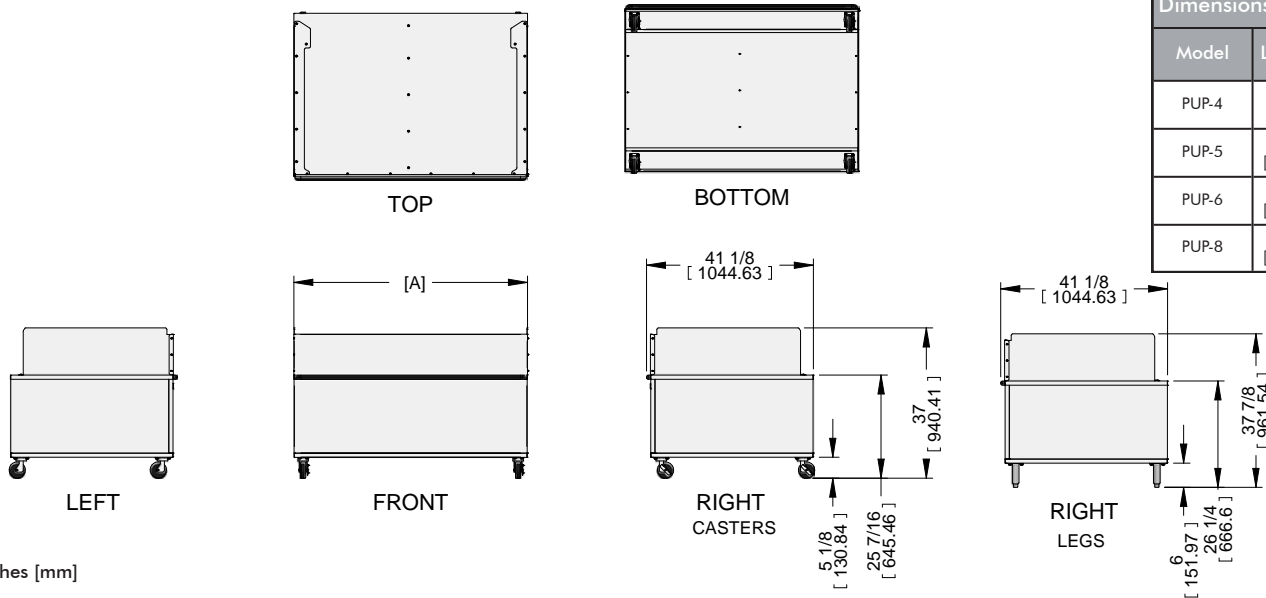
- All-stainless steel construction with brushed finish.
- Wrap-around Flange shields the Warmer and allows the Base to be use for a warmer with the counter-top legs installed
- Front Bumper Guard across entire face.
- Equipped with 5" Swivel Casters for smooth transport and locking brakes for stability when in use.
- Optional 6" adjustable legs easily replace the standard swivel casters to create a fixed, stationary display when needed.

Design Features and Options



**Heated Merchandiser sold separately.
Image for illustration purposes only.*

Dimensions:	
Model	Length [A]
PUP-4	44 5/8" [1133.5mm]
PUP-5	57 19/32" [1462.9 mm]
PUP-6	70 17/32" [1791.5 mm]
PUP-8	96 15/32" [2450.3 mm]



Inches [mm]

Specifications

*Specifications and/or product design are subject to change without notice. Such revisions do not entitle the buyer to corresponding changes, improvements, additions or replacements for previously purchased equipment.

Shipping Specifications:

Model	Crated Weight	Crated Dimensions	Cube
PUP-4	325 lbs [147 kg]	50" x 48" x 46" [1270 mm x 1219 mm x 1168 mm]	50.0 cu ft [1.4 cu m]
PUP-5	355 lbs [161 kg]	66" x 48" x 46" [1676 mm x 1219 mm x 1168 mm]	84.3 cu ft [2.4 cu m]
PUP-6	375 lbs [170 kg]	99" x 48" x 46" [2515 mm x 1219 mm x 1168 mm]	126.5 cu ft [3.6 cu m]
PUP-8	420 lbs [191 kg]	108" x 48" x 46" [2743 mm x 1219 mm x 1168 mm]	138.0 cu ft [3.9 cu m]

How To Specify

Step 1: Select Base Part Number with Options

X X X X X - X

Base Part No.	Description	Model
71654	PUP Base, 4 ft	PUP-4
71655	PUP Base, 5 ft	PUP-5
71656	PUP Base, 6 ft	PUP-6
71657	PUP Base, 8 ft	PUP-8

Option Code	Description
0	Swivel Casters (standard)
1	Adjustable Legs (optional)

*Specify standard casters or optional adjustable legs

Example Part Number

71656-1: PUP-6 Base, 6ft with optional adjustable legs.

Step 2: Select Additional Accessories & Quantities

Qty	Description	Part No.
	6" Adjustable Leg	46737